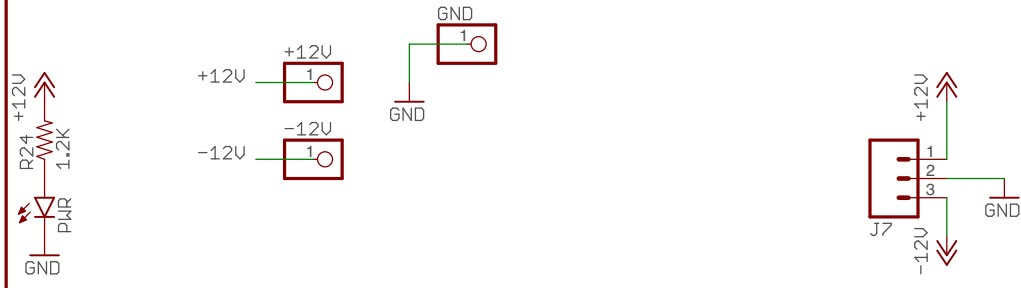
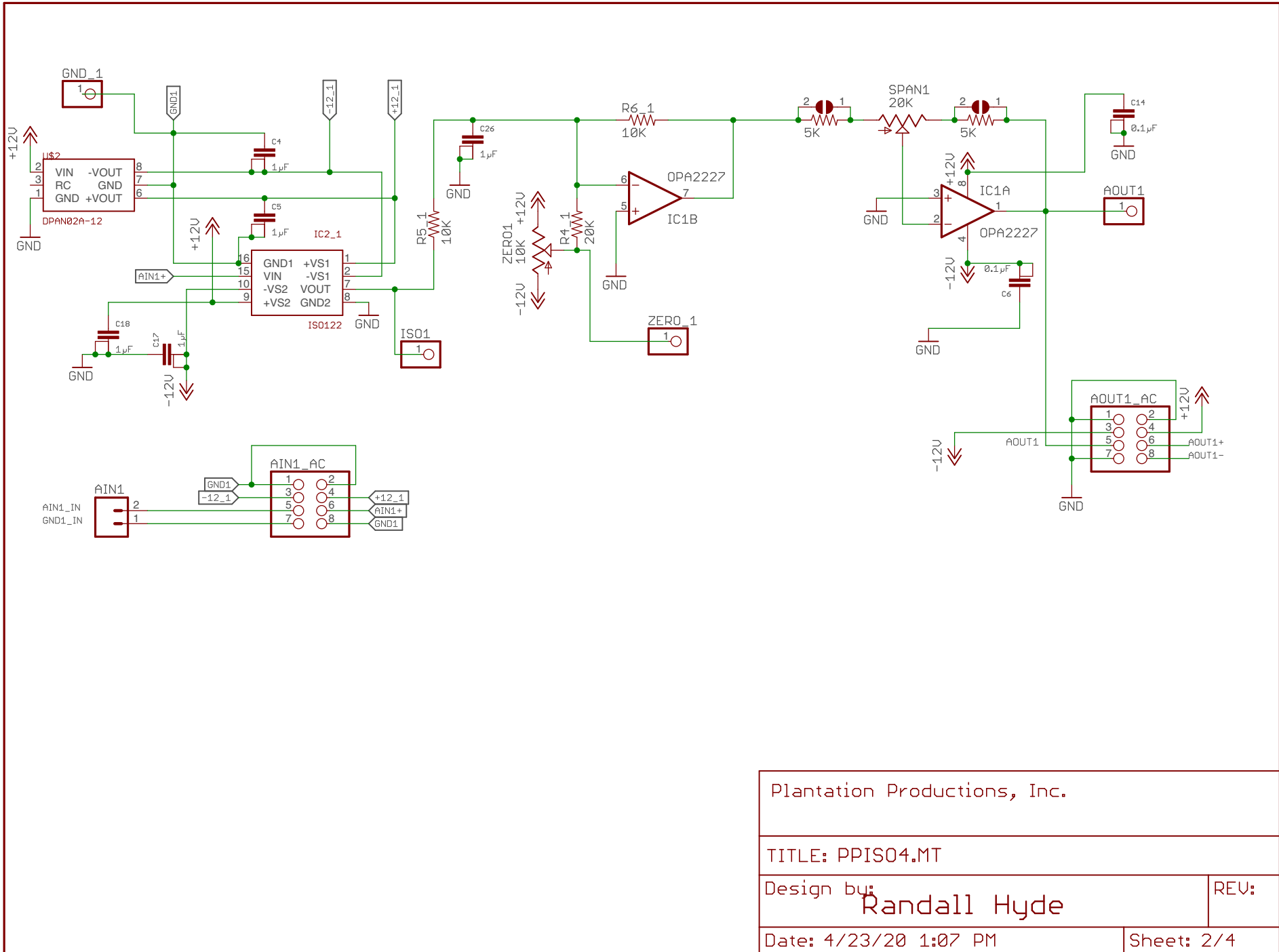


Rev 1:
 Changed name to PPIS04 (from PPAC4 and PPACD04).
 Complete redesign for better stability.

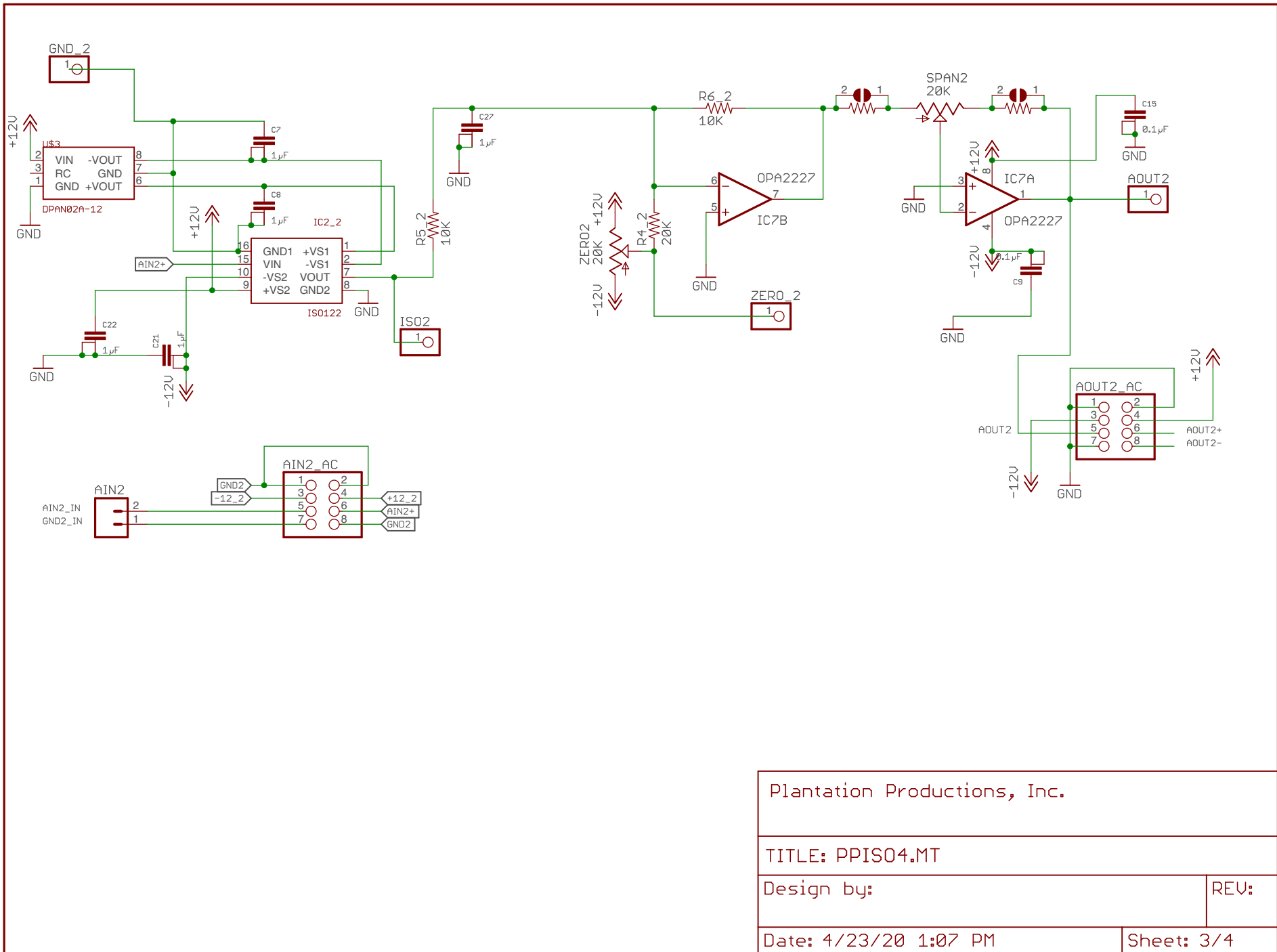
Rev 2:
 Switched input pins on opamps.



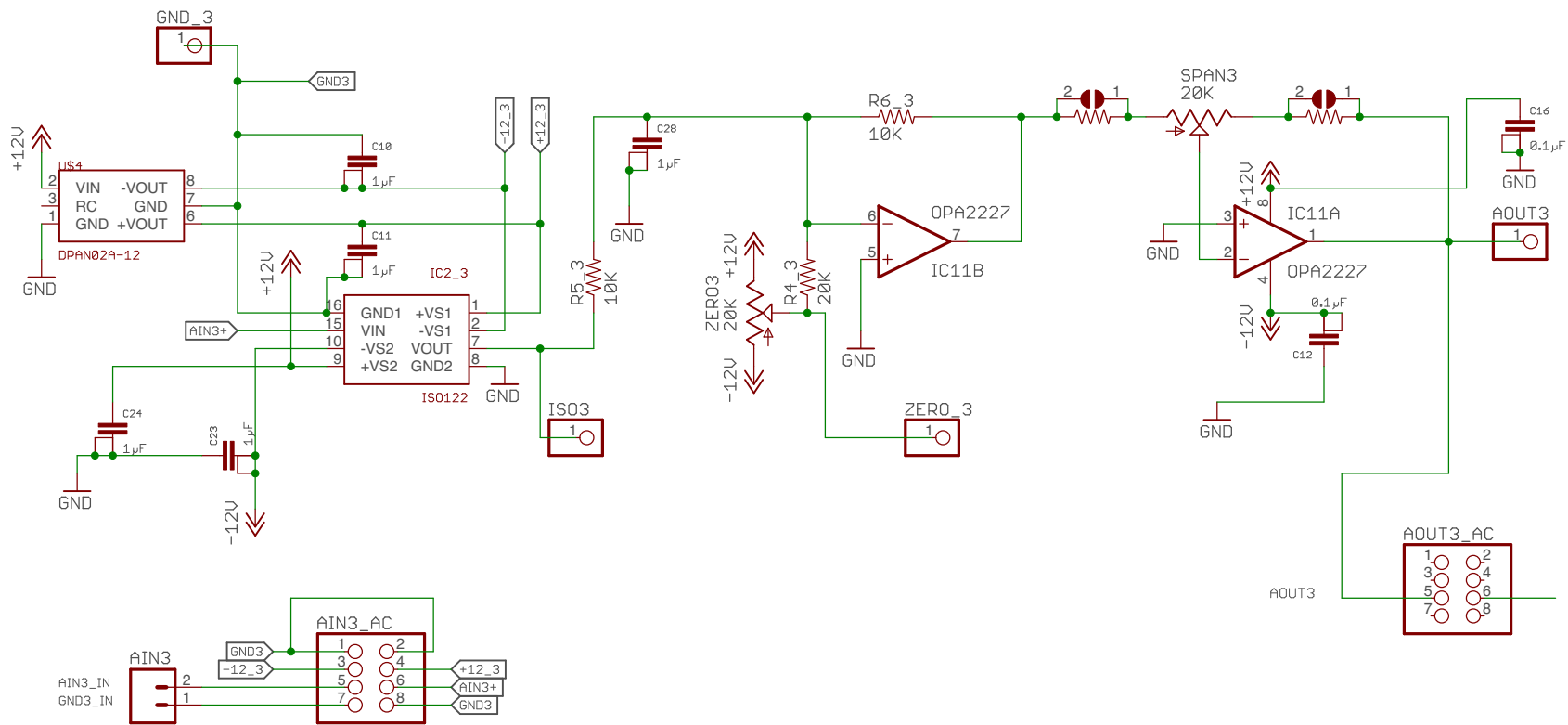
Plantation Productions, Inc.	
TITLE: PPIS04.MT	
Design by: Randall Hyde	REV:
Date: 4/23/20 1:07 PM	Sheet: 1/4



Plantation Productions, Inc.	
TITLE: PPIS04.MT	
Design by: Randall Hyde	REV:
Date: 4/23/20 1:07 PM	Sheet: 2/4



Plantation Productions, Inc.	
TITLE: PPIS04.MT	
Design by:	REV:
Date: 4/23/20 1:07 PM	Sheet: 3/4



Plantation Productions, Inc.	
TITLE: PPIS04.MT	
Design by:	REV:
Date: 4/23/20 1:07 PM	Sheet: 4/4